

SYR-DOS Dosing Pump 1400

Addition of mineral solutions



Field of application

The dosing pump SYR DOS from SYR is designed to add mineral solutions to potable water. Mineral solutions prevent corrosion and scaling and increase the water's pH value; they are also used for example downstream of water softeners or for stabilizing

the water hardness in copper or galvanised pipes as well as in mixed installations. The dosing system fulfils the requirements of the relevant German standard (DIN 19635).

Design

The dosing pump SYR DOS records the water flow with a water meter and determines the required amount of minerals accordingly; the minerals are released from the dosing dispensers and pumped into the pipe through a dosing hose. The range of mineral products includes solutions suitable for various applications (C: for copper pipes downstream

of water softeners; SW: for galvanised pipes and aggressive water with a water hardness 8,4 °dH; W: galvanised pipes for water hardness 8,4 - 14 °dH and mixed installations, respectively downstream of water softeners; H: for stabilizing the water hardness in the hardness ranges 14 °dH or higher.)

Materials

The functional parts are made of high quality synthetic material. The body and the internal plastic parts are made of shock-resistant thermoplast and the rubber parts of ageing-resistant elastomers. All remaining functional parts are made of a low

lead dezincification resistant gunmetal alloy and stainless steel. All materials used are state-of-the-art. All synthetic parts getting into contact with water fulfil the requirements of Germany's Public Health Office (KTW).

Installation

Use a connecting set DN 20 - DN 32 (not included in delivery) to install the SYR DOS dosing pump. Connect the connection valve directly into the

pipe. The device cannot be operated without power supply.

Thoroughly flush the pipe prior to installation. Install the connection valve and the connection set in vertical or horizontal pipes without applying

stresses. All electrical connections are pre-mounted in factory.

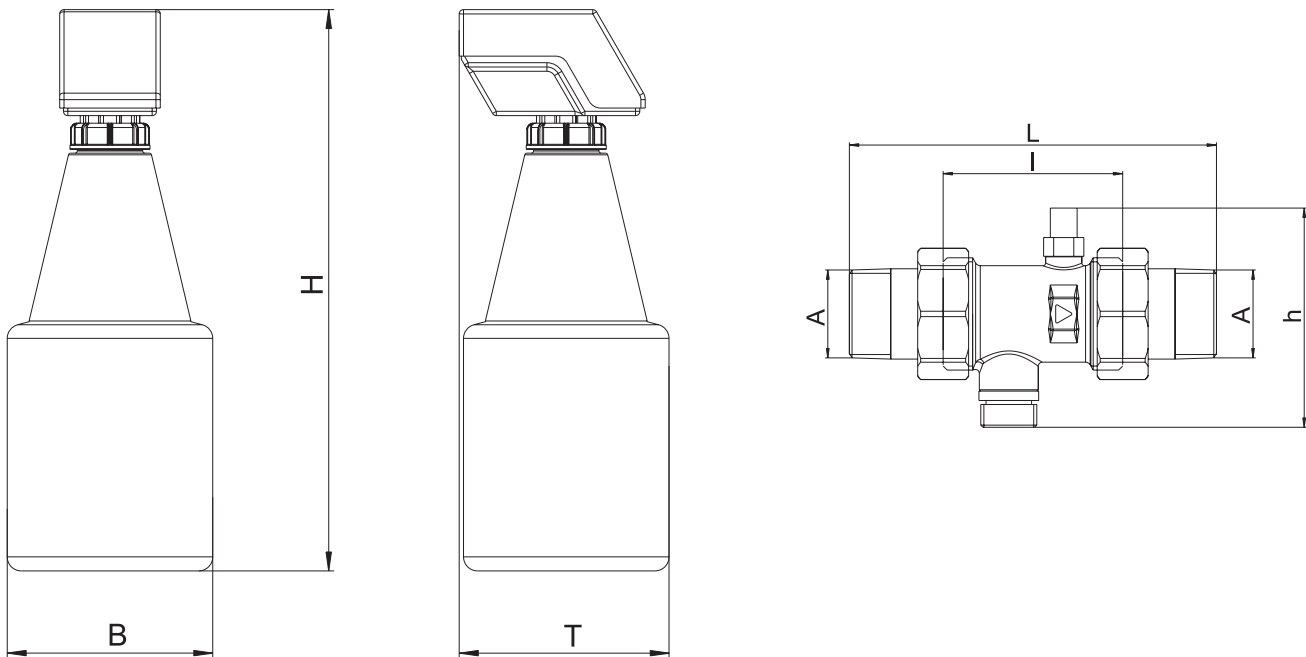
Technical specifications

Nominal size:	DN 20 - DN 32
Inlet pressure:	10 bar
Operating temperature:	max. 30 °C
Fluid:	potable water
Container size:	6 Liter
Nominal flow rate:	4.0 m ³ /h
Pressure loss at nominal flow rate:	0.8 bar
Power supply:	230 V / 50 Hz
Dosing volume per filling:	8 - 80 m ³
Serial number:	1400.00.000

Maintenance

As the dosing pump operates automatically, only the empty mineral solution dispensers need to be replaced. The device should be serviced on a

regular basis (EN 806 part 5). It is recommended to conclude a service contract with a qualified installer to ensure durable and safe operation.



Nominal size		DN 20	DN 25	DN 32
	A	R 3/4"	R 1"	R 1 1/4"
Dimensions	H (mm)	530	530	530
	B (mm)	190	190	190
	T (mm)	195	195	195
	L (mm)	141	137	161
	l (mm)	67	67	67
	h (mm)	82	82	82

Dosig pump 1400

Components / Order numbers

①

Pump housing

②

Mineral solution

Mineral solution Type C
6 Litre: 3100.00.900
25 Litre: 3100.00.904

Mineral solution Type SW
6 Litre: 3100.00.901
25 Liter: 3100.00.905

Mineral solution Type W
6 Litre: 3100.00.902
25 Liter: 3100.00.906

Mineral solution Type H
6 Litre: 3100.00.903
25 Liter: 3100.00.907

③

Connection valve

④

Connection-Set

0814.20.900	DN 20
0812.25.900	DN 25
0816.32.900	DN 32

