



### JETFI 1998 Backwash filter

High-quality impeller filter. Meets the requirements specified in DIN 1988. Flange made of high-quality brass alloy.

#### Technical specifications

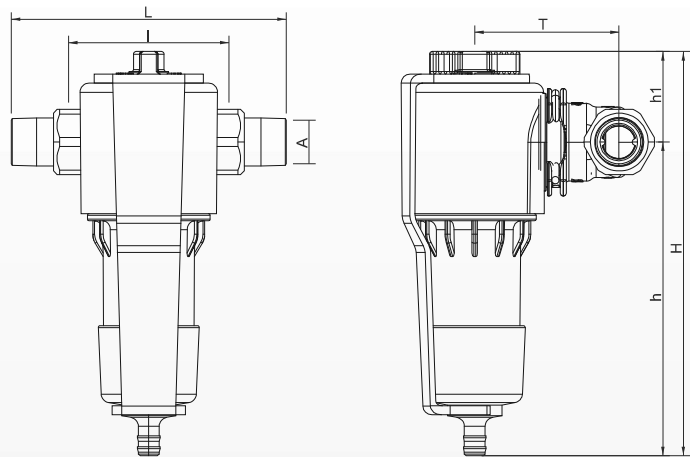
Min. operating pressure	2 bar
Max. operating pressure	16 bar
Max. operating temperature	30 °C
Fluid	potable water
Flow rate	
DN 20	1,6 m <sup>3</sup> /h at Δp 0,2 bar
DN 20	2,6 m <sup>3</sup> /h at Δp 0,5 bar
Mounting position	main axis vertical tundish facing downwards
Mesh width	40 μm

	Order-No.	Price (€)	KG
JETFI, DN 20	1998.20.200	112,95	1
JETFI, DN 25	1998.25.200	118,85	1

Spare parts	Order-No.	Price (€)	KG
Bracket	1998.00.900	8,25	1
Flange cover	1998.00.903	5,85	1

**Dimensions  
(mm)**

A	R 3/4"
H	224
h	174
h1	50
T	80
L	152
l	90



2

1 Bracket

