

POU max-Filter 7315

3-in-1 backwash filter for potable water



Field of application

The POUmax filter (**Point-of-Use**) offers protection against impurities, colour alterations, odours and microorganisms as well as possible harmful residues, directly at the draw-off point (for instance under the sink). The POUmax combines a fine mesh

filter, an activated carbon filter and an anti-bacteria filter in one single device. The filter is designed for manual backwash, which allows a longer service life.

Design

The POUmax filter includes a tap to draw off water directly, a 3-in-1-cartridge, a wall bracket and all

screws and dowels required to mount the filter.

Materials

The functional parts are made of high quality synthetic material. The body and internal synthetic parts are made of shock-resistant thermoplast and

the rubber parts of ageing resistant elastomers. Non-rusting steel is used for all remaining functional parts. The materials used are state-of-the-art.

Installation

The POUmax filter is particularly suitable for the assembly under the sink. When the tap is installed

for instance on the sink or tabletop, filtered water can be drawn off easily.

Thoroughly flush the pipe prior to installation. Install the POUmax filter by means of the wall bracket below the sink or upstream of a special tap under consideration of the direction of flow. Provide for

enough space under the filter for a receptacle collecting the backwashed water. Place the draw-off valve in the 11.5 mm bore in the table top or sink and fix it.

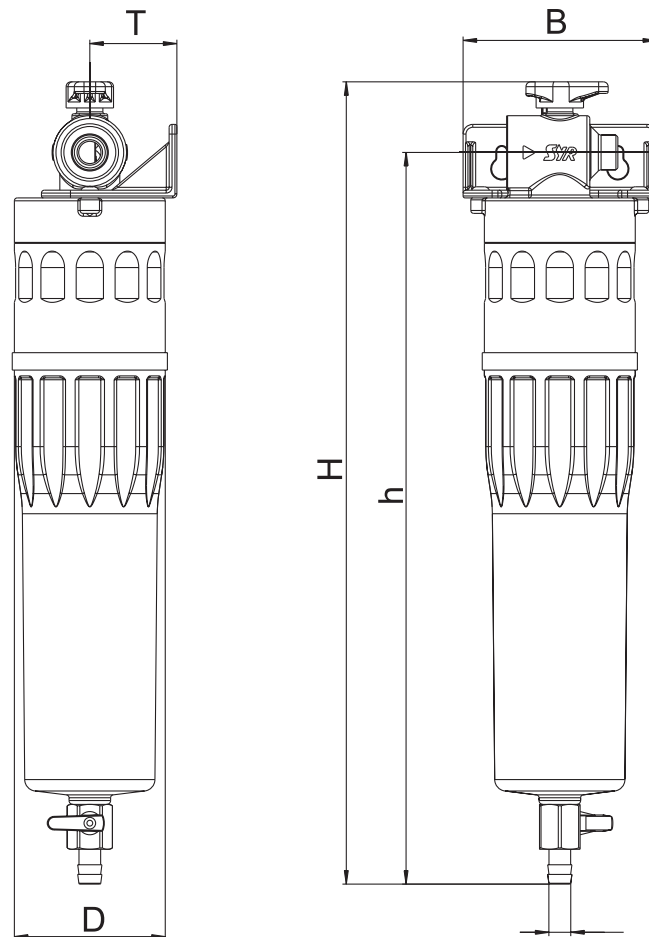
Technical specifications

Inlet pressure:	min. 2 bar, max. 10 bar
Operating temperature:	max. 30°C
Medium:	potable water
Mounting position:	main axis vertical with horizontal connecting flange
Nominal flow rate:	200 litres/h at ΔP 1,0 bar
Capacity:	ca. 7500 litres
Serial number:	7315 ...

Maintenance

The filter is backwashable and can be cleaned any time or according the amount of accumulated impurities by manual operation of the ball valve.

Exchange the cartridge unit when the maximum capacity is reached.



Observe the minimum distance of about 10 cm between the ball valve and the bottom to allow maintenance works!

Nominal size	DN 10	
Dimensions in mm	H (mm)	415
	h (mm)	378
	T (mm)	45
	B (mm)	100
	D (mm)	75
	d (mm)	11

Components / Order numbers

①
Tap
7315.00.907

②
Wall bracket

③
Valve body

④
Cartridge unit
7315.00.910

⑤
Filter cap

