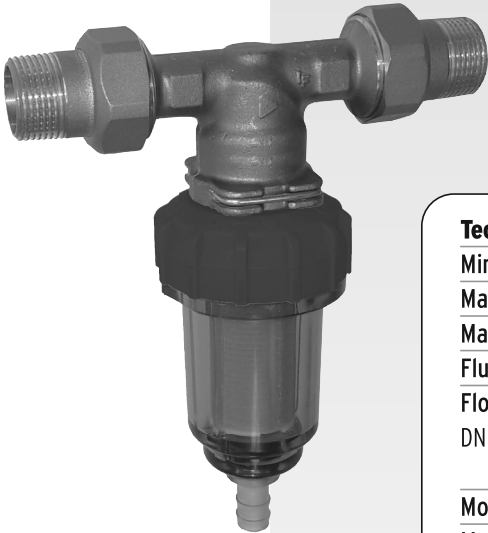


**Ratchet filter 5314** Manual Backwash filter

Backwash filter with integrated connection flange.



**Technical specifications**

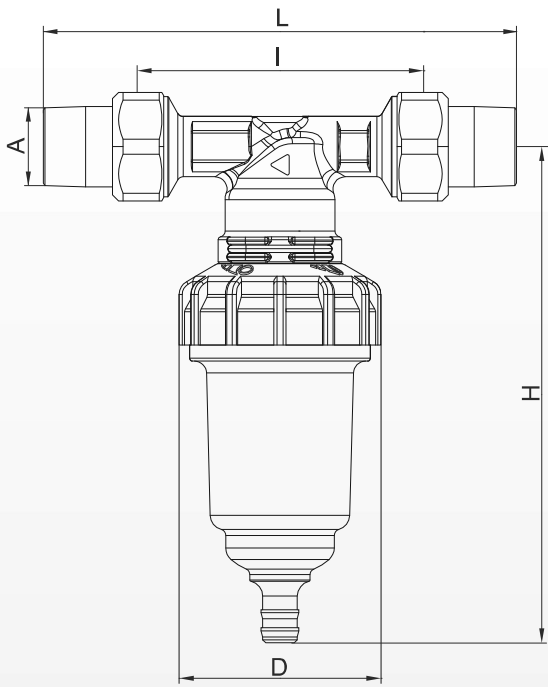
Min. operating pressure	2 bar
Max. operating pressure	10 bar
Max. operating temperature	30 °C
Fluid	potable water
Flow rate FR	
DN 20	1,5 m <sup>3</sup> /h at Δp 0,2 bar
	2,44 m <sup>3</sup> /h at Δp 0,5 bar
Mounting position	main axis vertical
Mesh width	40 μm

	<b>Order-No.</b>	<b>Price (€)</b>	<b>KG</b>
<b>Ratchet filter, DN 20</b>	5314.20.001	<b>62,10</b>	<b>1</b>

# Ratchet filter 5314 Manual Backwash filter

2

Dimensions (mm)	Nominal size DN 20
H	165
L	157
I	95
B	67



- 1 Valve body
- 2 Clamp
- 3 Filter cup

